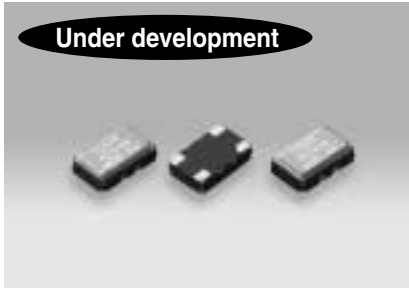


# ULTRA MINIATURE SIZE SMD (VC-)TCXO



## DSA534HA/DSB534HA



### FEATURES

- Ultra miniature size (0.026cc).
- Light weight (0.08g).
- High reliability with IC Circuits.
- Low phase noise.
- Reflow soldering (2 Reflows available).

### APPLICATIONS

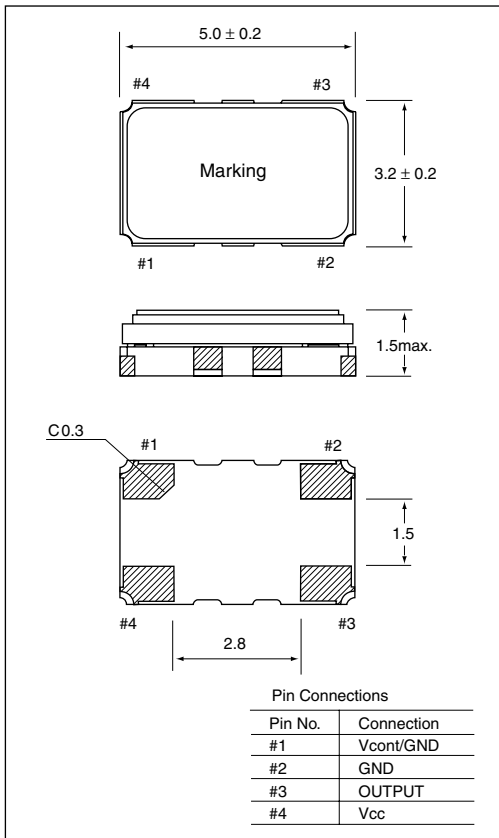
- Cellular phone (PDC,GSM,PCN,PCS,PHS and other systems)

### GENERIC SPECIFICATION

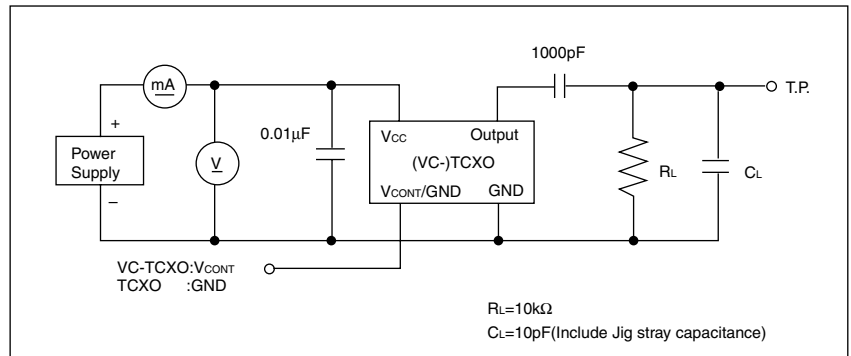
ITEM	TYPE	DSB534HA(TCXO)	DSA534HA(VC-TCXO)
Standard Frequency		12.6 / 12.8 / 13 / 14.4 / 14.85 / 16.8 / 19.2 / 19.68 / 19.8 MHz	
Frequency Range		12.6MHz ~ 20MHz	
Supply Voltage		+3.0 V (+2.6 to + 3.3V available)	
Current Consumption		+1.5mA max. (F<15MHz) / +1.7mA max. (F≥15MHz)	
Output Level		0.8 Vp-p min.	
Output Load		10kΩ // 10 pF	
Frequency Stability			
Tolerance		±1.5 ppm (After 2 reflows)	
vs. Temperature		±2.5 ppm / -30 ~ +85°C	
vs. Supply Voltage		±0.2 ppm (+3.0V ± 0.3V)	
vs. Aging		±1.0 ppm / year	
Start up		3.0 mS	
Frequency Control			
Control Sensitivity		—	±10.0ppm / V typ. (5~15ppm / V optional)
Response Slope		—	Positive
SSB Phase Noise		-130dBc / Hz (Offset 1kHz · F<15MHz) -120dBc / Hz (Offset 1kHz · F≥15MHz)	

Please contact your KDS sales representative to discuss particular spec requirements.

### DIMENSIONS [mm]



### MEASUREMENT CIRCUIT



### RECOMMENDED LAND PATTERN

[mm]

